

LED system lamps



- ▶ Glare-free light through the combination of a parabolic louvre and diffusor film
- ▶ 60% energy savings in comparison to conventional workstation lighting
- ▶ Color temperature: 5000 K
- ▶ With GST outlet sockets (black = 230 V; blue = dimming)
- ▶ Service life: 60,000 h
- ▶ Suitable for use at ESD workstations
- ▶ SL 30 LED: attached to a strut extension (workstations with W = 990 mm) or to a hanger (workstations with W ≠ 990 mm)
- ▶ SL 20 LED: attached to a hanger
- ▶ SL 15 LED: attached to the vertical strut or a strut extension

Protection class: IP 20 (DIN EN IEC 60529)

Housing material: aluminum; anodized

Scope of delivery: includes fastening kit (10 mm slot)

Required accessories: mains cable or connection cable, 45

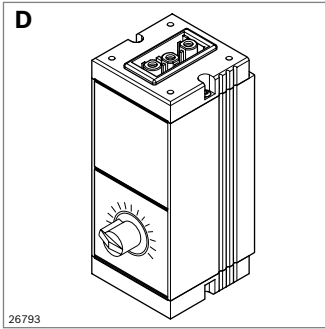
Optional accessories:

Regulator **(D)** (43);

DIM connection cable **(E)** (43);

POWER H distributor (230 V) **(F)** (43)

		Fluorescent tubes	Service life (h)	Voltage	Weight (kg)	No.
A	SL 30 LED	EU LED/30 W	60 000	220-240 V/50 Hz; 60 Hz	3.2	3 842 552 220
B	SL 20 LED	EU LED/20 W	60 000	220-240 V/50 Hz; 60 Hz	2.4	3 842 552 222
C	SL 15 LED	EU LED/15 W	60 000	220-240 V/50 Hz; 60 Hz	2.0	3 842 552 224

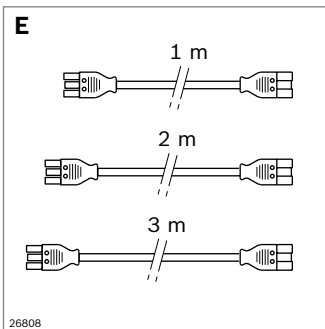


Regulator (D)

- ▶ By turning the rotary knob, the lighting strength of the LED system lamps can be dimmed.

Required accessories: DIM connection cable (E)

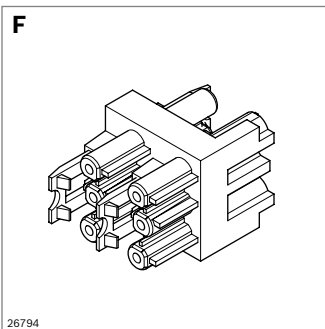
	No.
D Controller	3 842 552 226



DIM connection cable (E)

- ▶ For wiring the regulator to the system lamps
- ▶ Reliable plug & play installation, available in different lengths
- ▶ Plug color: blue
Cable color: black

		L (m)		No.
E DIM connection cable	EU	1	1	3 842 553 139
	EU	2	1	3 842 553 140
	EU	3	1	3 842 553 141



POWER H distributor (230 V) (F)

- ▶ For connecting up to three lamps to one mains connection
- ▶ Compatible with cable duct 40x40 or 45x45
(MGE 13.0 page 11-2)
- ▶ Color: black

		No.
F POWER H distributor (230 V)	1	3 842 553 142