



**Flanged bearing support series UCF for plain shafts d 20-25-30-35-40 mm**



see also... Features: page 142

Lubrication/maintenance: 143

Mounting instructions: 144

Calculation of load capacity and bearing life: 147

Accessories: 138

Chemical resistance: 154

## TECHNICAL INFORMATION

### ● Resistance to corrosion:

- Polyamide version (PA): good resistance to many corrosive chemicals such as water, oils, greases, petrol, milk, wine, alcoholic beverages.
- Polypropylene version (PP): good resistance to highly corrosive chemicals such as acids, organic liquids, surfactants, detergents.

### ● Load capacity:

- Polyamide version (PA): high load capacity.
- Polypropylene version (PP): low capacity.

### ● Continuous operating temperature:

- Polyamide version (PA): from -20°C to +90°C.
  - Polypropylene version (PP): from -20°C to +70°C.
- Both versions maintain good dimensional stability at the maximum indicated temperature.

### ● Economical operation.

Long life, maintenance free.

### ● Self-alignment:

Max. misalignment between shaft and housing: 2.5°.

### ● Concept and design to meet all safety requirements.

### ● Interchangeability:

Interchangeable with standard cast iron flanged supports.



accessory

## COMPONENTS

- 1 Housing in plastic material.
- 2 Adjustable ball bearing, pre-lubricated by means of grease-nipple or a quick coupler.
- 3 Ball-type grease-nipple (available upon request) quick coupler to take semi-rigid hoses Ø 4 mm in Rilsan (see accessories on page 138).
- 4 Clip-on safety cap (accessory). Open version achievable by pressing in the shaft against the internal side of the cap.
- 5 Spacers to reinforce bolt holes.
- 6 Washer UNI 6592.

## MAX. RADIAL LOAD CAPACITY OF HOUSING

Values indicated in the table above, are obtained at 23°C. Strength of housing indicated on page 147.



### VERSION IN POLYAMIDE (PA) MATERIALS

- Reinforced polyamide housing.
- High quality ball bearing in chrome steel or stainless steel.
- Grease-nipple in nickel plated brass or stainless steel.
- Safety cap in polypropylene (accessory).
- Spacers in nickel plated brass.
- Washers in stainless steel AISI 304 - DIN 1.4301.



### VERSION IN POLYPROPYLENE (PP) MATERIALS

- Reinforced polypropylene housing.
- High quality ball bearing in stainless steel.
- Grease-nipple in stainless steel.
- Safety cap in polypropylene (accessory).
- Spacers in stainless steel AISI 304 - DIN 1.4301.
- Washers in stainless steel AISI 304 - DIN 1.4301.

## COLOR

- Bearing support in black.
- Safety cap in yellow.
- For sufficient quantities parts can be produced in different colors.



series UCF



Plain Shaft



Ø mm

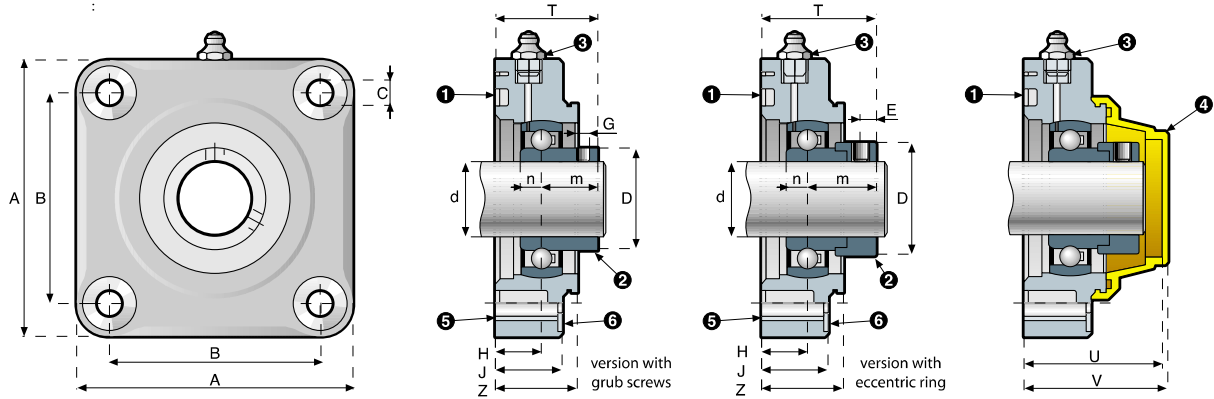


Polyamide



Polypropylene

# Series UCF



Ø d mm	code version (PA)	safety cap code	dimensions (mm)													bearing load ratings		max. radial load capacity on plastic housing PA (N)	weight (Kg)				
			A	B	C	D	E	G	H	J	Z	T	m	n	U	V	dynamic C (N)			static Co (N)			
<b>SHAFT LOCKING WITH GRUB SCREWS</b>																							
20	<b>50204S</b>	50003	86	63		28.5			16						34.2	18.2			9850	6580	12800	0.23	
	50204A			98	70																		0.35
	50205S			86	63		5.4				19	25											0.28
25	<b>50205A</b>	50001	98	70	11	34.0			15						34.8	19.8	7.6		10800	7800	13000	0.41	
	50205S				83																		0.45
	50206S		50004		77																		0.50
30	<b>50206</b>	50001	110	77		40.0	5.9		18						40.2	22.2	9.0		15000	11300	13000	0.56	
	50207				83																		0.70
	<b>50207G</b>		50002				46.7	7.4		20		25	35	45.5	25.4	9.6			19700	15300	12800	0.80	
35	<b>50208S</b>	50004	118	92	13	46.7	7.4		20										19700	15300	13000	0.80	
	50208S			110	77	11																	0.88
	50208				83		52.7	8.0															0.87
40	<b>50208G</b>	50002	118	92	13	52.7	8.0		20						30.1	11.0			22400	17900	12500	0.87	
	50208G			130	101.5																		0.86
	<b>50208F</b>																						0.90

<b>SHAFT LOCKING WITH ECCENTRIC RING</b>																							
20	<b>50204SB</b>	50003A	86	63		33.3			16						39.4				9850	6580	12800	0.26	
	50204AB			98	70																		0.40
	50205SB			86	63		5				19	25				38.4	23.4	7.6					0.35
25	<b>50205AB</b>	50001	98	70	11	38.0			15										10800	7800	13000	0.44	
	50205B				83																		0.48
	50206SB		50004		77																		0.70
30	<b>50206B</b>	50001	110	77		44.5	6.2		18						44.6	26.6	9.0		15000	11300	13000	0.60	
	50207B				83																		0.60
	<b>50207GB</b>		50002				55.6			20		25	35	48.3	29.3	9.6			19700	15300	12800	0.78	
35	<b>50208SB</b>	50004	118	92	13	55.6			20										19700	15300	13000	0.88	
	50208SB			110	77	11																	0.97
	50208B				83		60.3	7															0.95
40	<b>50208GB</b>	50002	118	92	13	60.3			20						32.6	11.0			22400	17900	12500	0.95	
	50208GB			130	101.5																		0.91
	<b>50208FB</b>																						0.97

Ø d mm	code version		safety cap code	dimensions (mm)													bearing load ratings		max. radial load capacity on plastic housing		weight (Kg)		
	PA	PP		A	B	C	D	E	G	H	J	Z	T	m	n	U	V	dynamic C (N)	static Co (N)	PA (N)		PP (N)	
<b>STAINLESS STEEL BEARING (with grub screws)</b>																							
20	<b>50204S/SS</b>	<b>60204S</b>	50003	86	63		29.0	5.0		16					34.3	18.3	12.7		7300	4900	12000	0.23	
	50204A/SS	60204A			98	70																	0.35
	50205S/SS	60205S			86	63					19	25											0.28
25	<b>50205A/SS</b>	<b>60205A</b>	50001	98	70	11	34.0	5.5		15					34.7	19.7	14.3		8100	5800	12000	0.41	
	50205S/SS	60205S				83																	0.45
	50206S/SS	60206S		50004		77																	0.63
30	<b>50206/SS</b>	<b>60206</b>	50001	110	77		40.4	6.0		18					40.2	22.2	15.9		11250	8400	13000	0.56	
	50207/SS	60207				83																	0.70
	<b>50207G/SS</b>	<b>60207G</b>		50002				47.4	6.5		20		25	35	44.4	25.4	17.5		14700	11400	12800	0.93	
35	<b>50208S/SS</b>	<b>60208S</b>	50004	118	92	13	47.4	6.5		20					45.4				14700	11400	13000	0.82	
	50208S/SS	60208S			110	77	11																0.82
	50208/SS	60208				83		52.7	8.0														0.87
40	<b>50208G/SS</b>	<b>60208G</b>	50002	118	92	13	52.7	8.0		20					30.2	19.0			16800	13400	12500	0.87	
	50208G/SS	60208G			130	101.5																	0.97
	<b>50208F/SS</b>	<b>60208F</b>																					0.92

The dimension of the housings related to codes printed in bold letters are unified according to international standards.



**Pillow block series UCP for plain shafts**  
**d 12-15-16-17-20-25-30-35-40 mm**



see also... Features: page 142

Lubrication/maintenance: 143

Mounting instructions: 144

Calculation of load capacity and bearing life: 147

Accessories: 138

Chemical resistance: 154

## TECHNICAL INFORMATION

### Resistance to corrosion:

- Polyamide version (PA): good resistance to many corrosive chemicals such as water, oils, greases, petrol, milk, wine, alcoholic beverages.
- Polypropylene version (PP): good resistance to highly corrosive chemicals such as acids, organic liquids, surfactants, detergents.

### Load capacity:

- Polyamide version (PA): high load capacity.
- Polypropylene version (PP): low capacity.

### Continuous operating temperature:

- Polyamide version (PA): from -20°C to +90°C.
  - Polypropylene version (PP): from -20°C to +70°C.
- Both versions maintain good dimensional stability at the maximum indicated temperature.

### Economical operation.

Long life, maintenance free.

### Self-alignment:

Max. misalignment between shaft and housing: 2.5°

### Concept and design to meet all safety requirements.

### Interchangeability:

Interchangeable with standard cast iron flanged supports.



accessory

## COMPONENTS

- 1 Housing in plastic material.
- 2 Adjustable ball bearing, pre-lubricated by means of grease-nipple or a quick coupler.
- 3 Ball-type grease-nipple (available upon request) quick coupler to take semi-rigid hoses Ø 4 mm in Rilsan (see accessories on page 138).
- 4 Clip-on safety cap (accessory). Open version achievable by pressing in the shaft against the internal side of the cap.

- 5 Spacers to reinforce bolt holes.

## MAX. RADIAL LOAD CAPACITY OF HOUSING

Values indicated in the table above, are obtained at 23°C. Strength of housing indicated on page 147.



### VERSION IN POLYAMIDE (PA) MATERIALS

- Reinforced polyamide housing.
- High quality ball bearing in chrome steel or stainless steel.
- Grease-nipple in nickel plated brass or stainless steel.
- Safety cap in polypropylene (accessory).
- Spacers in stainless steel AISI 304 - DIN 1.4301



### VERSION IN POLYPROPYLENE (PP) MATERIALS

- Reinforced polypropylene housing.
- High quality ball bearing in stainless steel.
- Grease-nipple in stainless steel.
- Safety cap in polypropylene (accessory).
- Spacers in stainless steel AISI 304 - DIN 1.4301.

## COLOR

- Bearing support in black.
- Safety cap in yellow.
- For sufficient quantities parts can be produced in different colors.



series UCP



Plain Shaft



Ø mm



Polyamide



Polypropylene

