

POLYETHYLENE CHAIN GUIDE RAILS

Material: PE-UHMW

High molecular weight polyethylene (Mol. weight higher than 1,000,000).

Colour: green - standard length 2 m. - 3 - 4 m. on request

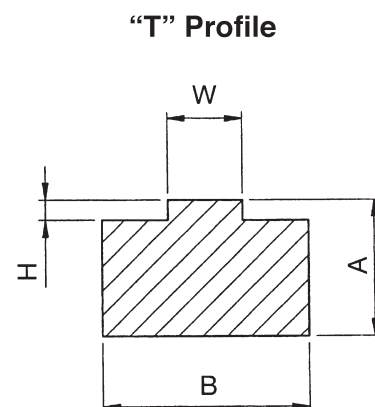
Specific weight: 0.945 g/cm³.

Dynamic friction coefficient: 0.2 (P = 0.05 N/mm² - V = 0.6 m/s - T = 40°C).

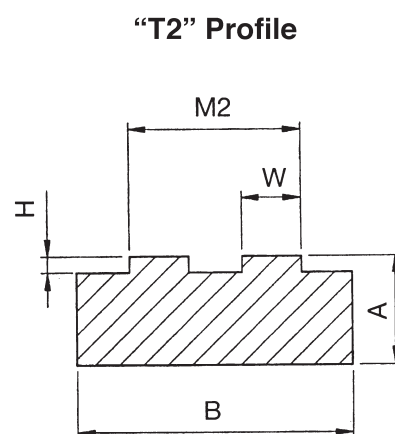
Operating temperature: -200°C ÷ 60°C. For short periods by contact: 80°C.

Linear thermal expansion: 2 mm every 10°C starting from a room temperature of 20°C.

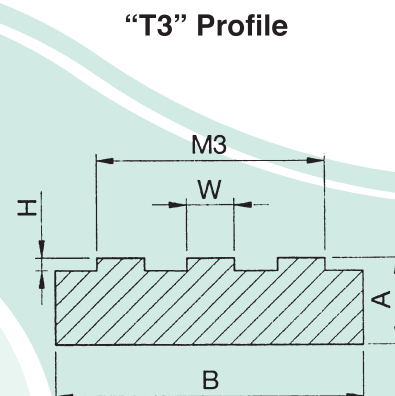
"T" profile for single chain		Chain	ISO	Guide dimensions		Weight Kg.m
AxB	H			W		
GC-T-06	10x15	3/8"x7/32"	06 B-1	1.5	5.4	0.130
GC-T-08	10x20 15x20 20x20	1/2"x5/16"	08 B-1	2.2	7.4	0.175 0.260 0.340
GC-T-10	15x20 20x20	5/8"x3/8"	10 B-1	2.6	9.2	0.250 0.333
GC-T-12	15x25 20x25	3/4"x7/16"	12 B-1	2.4	11.3	0.320 0.430
GC-T-16	15x40 20x40	1"17.02 mm	16 B-1	3.5	16.5	0.450 0.675



"T2" profile for double chain		Chain	ISO	Guide dimensions			Weight Kg.m
AxB	H			M2	W		
GC-T2-06	10x25	3/8"x7/32"	06 B-2	1.5	15.74	5.4	0.220
GC-T2-08	10x35 15x35 20x35	1/2"x5/16"	08 B-2	2.2	21.42	7.4	0.295 0.460 0.630
GC-T2-10	10x40 15x40 20x40	5/8"x3/8"	10 B-2	2.6	25.79	9.2	0.320 0.540 0.770
GC-T2-12	15x45 20x45	3/4"x7/16"	12 B-2	2.4	30.76	11.3	0.620 0.845
GC-T2-16	15x65 20x65	1"17.02 mm	16 B-2	3.5	48.38	16.5	0.860 1.185



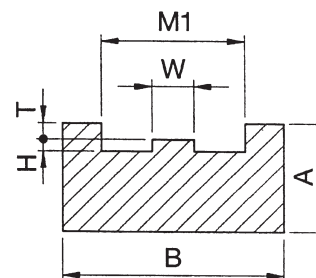
"T3" profile for triple chain		Chain	ISO	Guide dimensions			Weight Kg.m
AxB	H			M3	W		
GC-T3-06	10x35	3/8"x7/32"	06 B-3	1.5	25.88	5.4	0.770
GC-T3-08	10x45 15x45 20x45	1/2"x5/16"	08 B-3	2.2	35.24	7.4	0.820 1.045 1.270
GC-T3-10	10x55 15x55 20x55	5/8"x3/8"	10 B-3	2.6	42.38	9.2	0.850 1.125 1.400
GC-T3-12	15x60 20x60	3/4"x7/16"	12 B-3	2.4	50.22	11.3	0.855 1.155



POLYETHYLENE CHAIN GUIDE RAILS

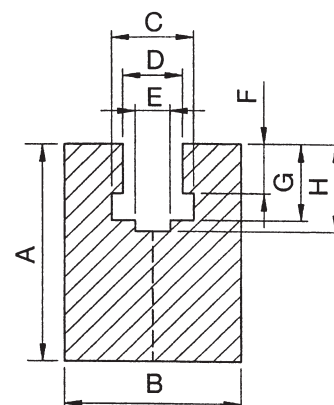
"E" profile for single chain		Chain	ISO	Guide dimensions				Weight Kg.m
AxB	H			M1	W	T		
GC-E-06	10x20	3/8"x7/32"	06 B-1	1.5	15	5.4	4.35	0.188
GC-E-08	15x25	1/2"x5/16"	08 B-1	2.2	16.3	7.4	1.6	0.352
GC-E-10	15x28	5/8"x3/8"	10 B-1	2.6	19.2	9.2	2.1	0.394
GC-E-12	20x38	3/4"x7/16"	12 B-1	2.4	28	11.3	11.11	0.564
GC-E-16	25x51	1"17.02 mm	16 B-1	3.5	41	16.5	16.48	0.830

"E" Profile



"K" profile for single chain		Chain	ISO	Guide dimensions						Weight Kg.m
AxB	H			D	E	F	G	C		
GC-K-06	25x20	3/8"x7/32"	06 B-1	10	6.8	4	5.6	8.7	9.3	0.430
GC-K-08	30x24	1/2"x5/16"	08 B-1	12.7	9	5	7.4	11.5	12.8	0.550
GC-K-10	35x30	5/8"x3/8"	10 B-1	14.8	10.7	6	9.3	13.5	15.4	0.830
GC-K-12	35x40	3/4"x7/16"	12 B-1	17.5	12.7	7	11.3	15.9	16.9	1.100
GC-K-16	45x40	1"17.02 mm	16 B-1	26.8	16.5	9	16.6	25.7	24.4	1.220

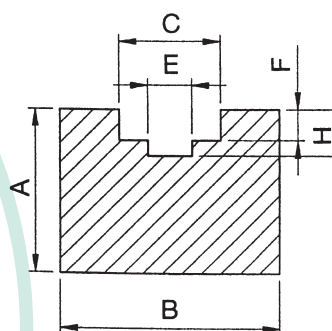
"K" Profile



On request, can be supplied in two halves, at an extra cost

"U" profile for single chain		Chain	ISO	Guide dimensions				Weight Kg.m
AxB	H			E	F	C		
GC-U-06	15x20	3/8"x7/32"	06 B-1	4.2	4	2.8	9.2	0.260
GC-U-08	15x25	1/2"x5/16"	08 B-1	4.8	5	3.5	12.7	0.310
GC-U-10	15x25	5/8"x3/8"	10 B-1	5.1	6	3.6	15.2	0.300
GC-U-12	20x25	3/4"x7/16"	12 B-1	5.7	7	3.9	16.7	0.400

"U" Profile

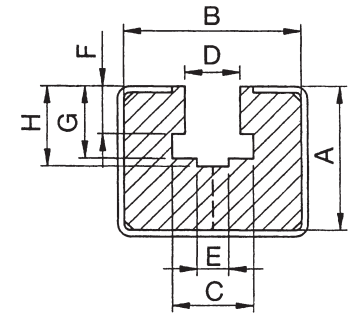


POLYETHYLENE CHAIN GUIDE RAILS

"KG" Profile

"KG" profile for single chain		Chain	ISO	Metal support	Guide dimensions					Weight Kg.m	
AxB	H				D	E	F	G	C		
GC-KG-08	22.5x27(*)	1/2"x5/16"	08 B-1	C10	13	8.7	5	7.4	11.5	12.8	1.295
GC-KG-10	22.5x27	5/8"x3/8"	10 B-1	C10	14.9	10.7	6	9.3	13.5	15.4	1.285
GC-KG-12	22.5x27	3/4"x7/16"	12 B-1	C10	17.5	12.3	7	11.3	15.9	16.9	1.275

On request, can be supplied in two halves, at an extra cost

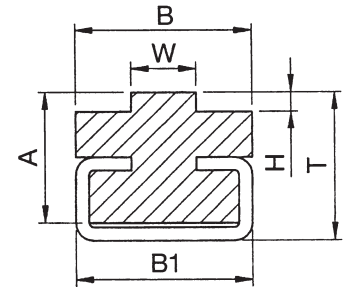


Designed for metal support

"CT" Profile

"CT" profile for single chain		Chain	ISO	Metal support	Guide dimensions				Weight Kg.m
AxB	H				T	W	B1		
GC-CT-08	15x20	1/2"x5/16"	08 B-1	C3	2.2	17	7.4	20	0.820
GC-CT-10	15x20	5/8"x3/8"	10 B-1	C3	2.6	17	9.2	20	0.830
GC-CT-12	15x20	3/4"x7/16"	12 B-1	C3	2.4	17	11.3	20	0.840
GC-CT-16	15x28(*)	1"x17.02 mm	16 B-1	C5	3.5	18	16.5	28	1.240

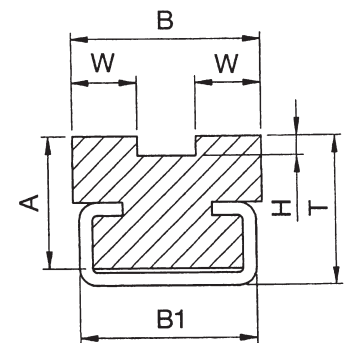
* On request



Designed for metal support

"CT2" Profile

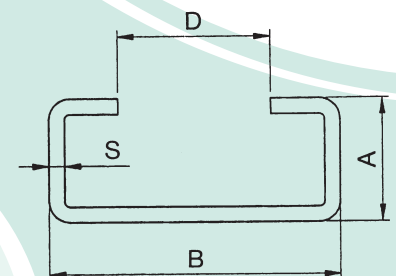
"CT2" profile for double chain		Chain	ISO	Metal support	Guide dimensions				Weight Kg.m
AxB	H				T	W	B2		
GC-CT2-06	15x15.7	3/8"x7/32"	06 B-2	C3	1.5	17	5.4	20	0.740
GC-CT2-08	15x21.4	1/2"x5/16"	08 B-2	C3	2.2	17	7.4	20	0.840
GC-CT2-10	15x25.9	5/8"x3/8"	10 B-2	C5	2.6	19	9.2	28	0.850
GC-CT2-12	15x30.7	3/4"x7/16"	12 B-2	C5	2.4	19	11.3	28	1.250
GC-CT2-16	20x48.3	1"x17.02 mm	16 B-2	C9	3.5	27	16.5	38	2.150



Designed for metal support

Metal Supports

Metal supports		Standard length m.	Guide dimensions				Weight Kg.m
AxB	A		B	D	S		
C3	10x20(*)	2	10	20	10	1.3	0.480
C5	12x28 (*)	2	12	28	14	1.5	0.850
C9	18x38 (*)	2	18	38	22	1.5	1.500
C10	24x30 (*)	2	24	30	20	1.5	0.950



(*) Available in galvanised sheet metal - and in AISI 304 stainless steel
NB. Profiles based on the Customer's drawings are produced on request.