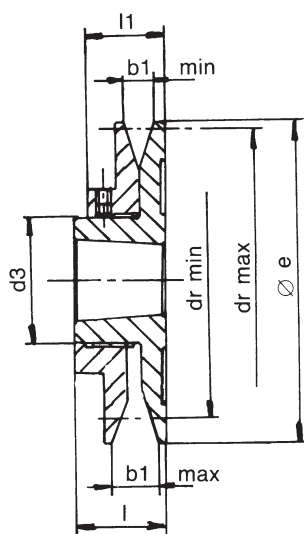
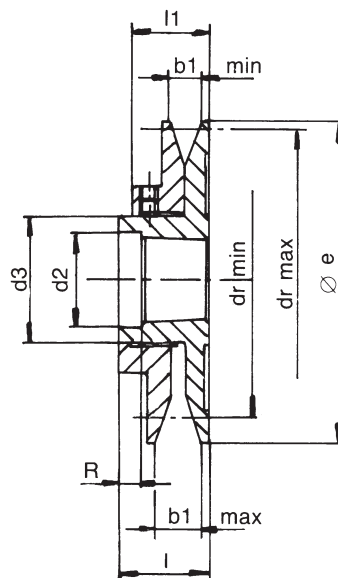


ADJUSTABLE PHOSPHATED TAPER-LOCK® PULLEYS FOR V-BELTS



EXECUTION 1

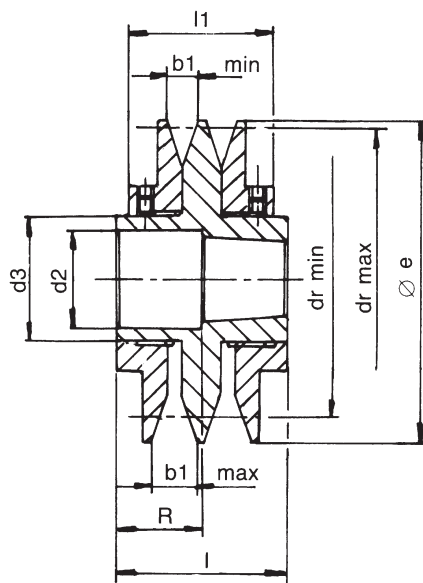


EXECUTION 2

MATERIAL: C 40 STEEL – UNI 7845

PULLEY TYPE	Exec.	No. of Races	Bush	Ø e	l	l ₁	b ₁		d _r		d ₂	d ₃	R	Cup dowels UNI 5929	Belt cross-section	Weight Kg.
							min.	max.	min.	max.						
PRB - 93	2	1	1108	93	36.5	29	13	20.5	57 59	78 85	39	50	13.5	No. 4 M6x6	Z 10x6 A 13x8	0.86
PRB - 108	1	1	1215	108	38	30.5	13	20.5	68	92	-	60	-	No. 4 M6x6	Z 10x6 A 13x8 SPZ SPA	1.18
									75	93						
									76	102						
PRB - 120	1	1	1215	120	38	30.5	13	20.5	80	104	-	60	-	No. 4 M6x6	Z 10x6 A 13x8 SPZ SPA	1.46
									82	112						
									87	105						
									88	114						
PRB - 138	1	1	1615	138	38	30.5	13	20.5	98	122	-	74	-	No. 4 M6x6	Z 10x6 A 13x8 SPZ SPA	2.00
									100	130						
									105	123						
									106	132						
									106	132						
PRB - 160	2	1	1615	160	45	35.5	17	26.5	108	138	58	74	6.5	No. 4 M8x8	A 13x8 B 17x11 SPA SPB	3.04
									112	150						
									114	140						
									117	153						
									117	153						
PRB - 180	2	1	2012	180	45	35.5	17	26.5	128	158	71	90	12.5	No. 4 M8x8	A 13x8 B 17x11 SPA SPB	3.80
									132	170						
									134	160						
									137	173						
									137	173						
PRB - 200	2	1	2012	200	45	35.5	17	26.5	149	177	71	90	12.5	No. 4 M8x8	A 13x8 B 17x11 SPA SPB	4.75
									152	190						
									155	179						
									159	193						
									159	193						

ADJUSTABLE PHOSPHATED TAPER-LOCK® PULLEYS FOR V-BELTS



EXECUTION 3

MATERIAL: C 40 STEEL – UNI 7845

PULLEY TYPE	Exec.	No. of Races	Bush	Ø e	l	l ₁	b ₁		d _r		d ₂	d ₃	R	Cup dowels UNI 5929	Belt cross-section	Weight Kg.
							min.	max.	min.	max.						
PRB2 - 108	3	2	1215	108	73	58	13	20.5	68 70 75 76	92 100 93 102	48.5	60	34.5	No. 8 M6x6	Z 10x6 A 13x8 SPZ SPA	2.14
PRB2 - 120	3	2	1215	120	73	58	13	20.5	80 82 87 88	104 112 105 114	48.5	60	34.5	No. 8 M6x6	Z 10x6 A 13x8 SPZ SPA	2.65
PRB2 - 138	3	2	1615	138	73	58	13	20.5	98 100 105 106	122 130 123 132	58.5	74	34.5	No. 8 M6x6	Z 10x6 A 13x8 SPZ SPA	3.60
PRB2 - 160	3	2	1615	160	87	68	17	26.5	108 112 114 117	138 150 140 153	58.5	74	48.5	No. 8 M8x8	A 13x8 B 17x11 SPA SPB	5.60
PRB2 - 180	3	2	2012	180	87	68	17	26.5	128 132 134 137	158 170 160 173	71	90	54	No. 8 M8x8	A 13x8 B 17x11 SPA SPB	7.15
PRB2 - 200	3	2	2012	200	87	68	17	26.5	149 152 155 159	177 190 179 193	71	90	54	No. 8 M8x8	A 13x8 B 17x11 SPA SPB	8.92