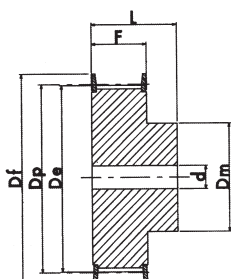
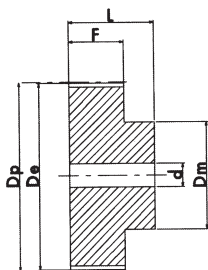


POWERGRIP® TOOTHED PULLEYS FOR SYNCHRONOUS BELTS

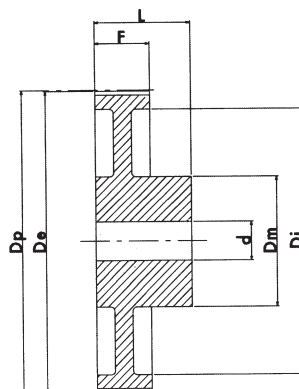
EXPORT "PHOSPHATED"



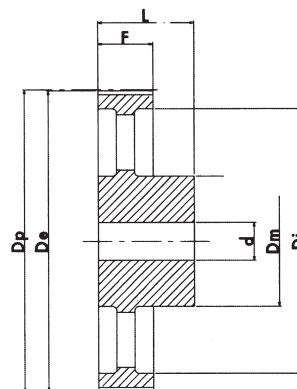
EXECUTION 1F



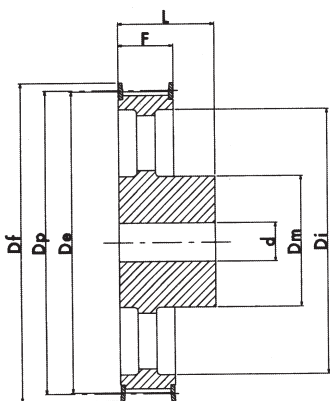
EXECUTION 2



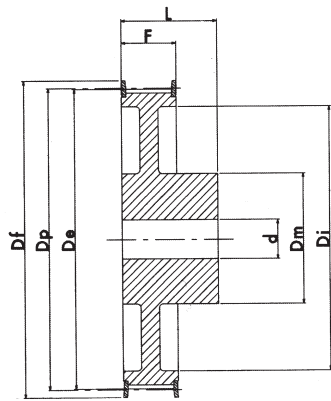
EXECUTION 3



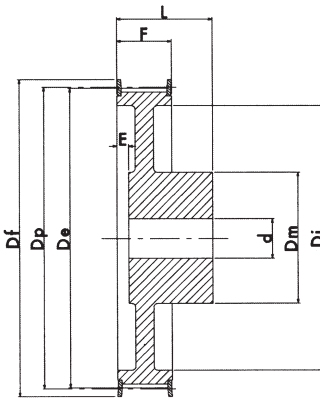
EXECUTION 4



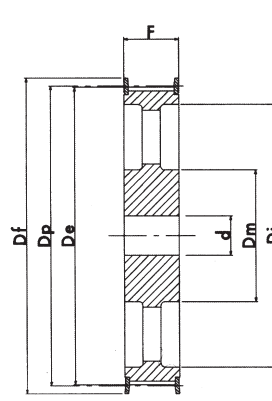
EXECUTION 5F



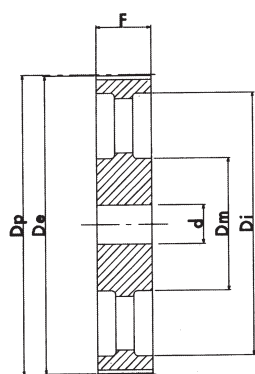
EXECUTION 6F



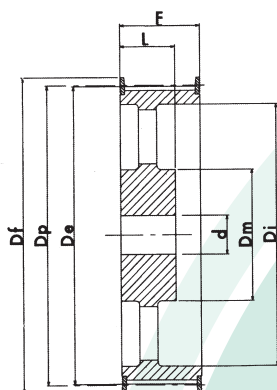
EXECUTION 7F



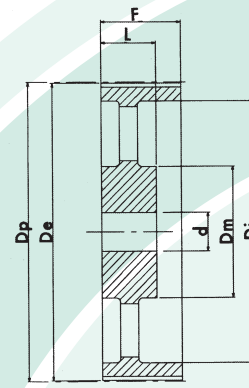
EXECUTION 8F



EXECUTION 9



EXECUTION 10F



EXECUTION 11

POWERGRIP® TOOTHED PULLEYS FOR SYNCHRONOUS BELTS

EXPORT "PHOSPHATED"

XL 037 PITCH 1/5" (5.08mm.)

CHARACTERISTICS	TYPE	EXEC.	No. of TEETH	Dp PITCH LINE	De EXTERNAL	Df FLANGE	Dm HUB	Di	F	L	d Ø bore	No. 2 holes threaded at 90°	FLANGE No.	
STEEL/ALUMINIUM	WITH FLANGE	10 XL 037	1F	10	16.17	15.66	23	9.5	-	14.3	19.8	4.0	M3	1
		11 XL 037	1F	11	17.79	17.28	23	11.0	-	14.3	19.8	4.0	M3	1
		12 XL 037	1F	12	19.40	18.90	25	12.7	-	14.3	19.8	4.0	M3	2
		14 XL 037	1F	14	22.64	22.13	28	14.3	-	14.3	19.8	6.0	M4	4
		15 XL 037	1F	15	24.26	23.75	28	15.9	-	14.3	19.8	6.0	M4	4
		16 XL 037	1F	16	25.87	25.36	32	17.5	-	14.3	19.8	6.0	M4	5
		18 XL 037	1F	18	29.11	28.60	35	20.6	-	14.3	19.8	6.0	M4	7
		20 XL 037	1F	20	32.34	31.83	38	23.8	-	14.3	22.2	6.0	M4	9
		21 XL 037	1F	21	33.96	33.45	38	23.8	-	14.3	22.2	6.0	M4	9
		22 XL 037	1F	22	35.57	35.07	41	25.4	-	14.3	22.2	6.0	M4	10
		24 XL 037	1F	24	38.81	38.30	44	27.0	-	14.3	22.2	6.0	M4	12
		26 XL 037	1F	26	42.04	41.53	48	30.0	-	14.3	22.2	6.0	M4	11
		28 XL 037	1F	28	45.28	44.77	51	30.2	-	14.3	22.2	6.0	M4	16
		30 XL 037	1F	30	48.51	48.00	54	34.9	-	14.3	22.2	6.0	M4	18
		ALUMINIUM	WITHOUT FLANGE	32 XL 037	2	32	51.74	51.24	-	38.0	-	14.3	25.4	8.0
36 XL 037	2			36	58.21	57.70	-	38.0	-	14.3	25.4	8.0	M4	-
40 XL 037	2			40	64.68	64.17	-	38.0	-	14.3	25.4	8.0	M4	-
42 XL 037	3			42	67.91	67.41	-	38.0	58	14.3	25.4	8.0	M4	-
44 XL 037	3			44	71.15	70.64	-	38.0	60	14.3	25.4	8.0	M4	-
48 XL 037	3			48	77.62	77.11	-	38.0	66	14.3	25.4	8.0	M4	-
60 XL 037	3			60	97.02	96.51	-	38.0	82	14.3	25.4	8.0	M4	-
72 XL 037	3			72	116.43	115.92	-	38.0	100	14.3	25.4	8.0	M4	-

L 050 PITCH 3/8" (9.52mm.)

CHARACTERISTICS	TYPE	TYPE	No. of TEETH	Dp PITCH LINE	De EXTERNAL	Df FLANGE	Dm HUB	Di	F	L	d Ø bore	FLANGE No.	
STEEL	WITH FLANGE	10 L 050	1F	10	30.32	29.56	37	22	-	19	26	6	50
		12 L 050	1F	12	36.38	35.62	43	28	-	19	26	6	52
		13 L 050	1F	13	39.41	38.65	44	30	-	19	26	6	83
		14 L 050	1F	14	42.45	41.68	48	33	-	19	26	8	54
		15 L 050	1F	15	45.48	44.72	51	36	-	19	26	8	55
		16 L 050	1F	16	48.51	47.75	54	38	-	19	26	8	56
		17 L 050	1F	17	51.54	50.78	57	40	-	19	26	10	57
		18 L 050	1F	18	54.57	53.81	60	40	-	19	26	10	58
		19 L 050	1F	19	57.61	56.84	64	40	-	19	26	10	59
		20 L 050	1F	20	60.64	59.88	66.5	46	-	19	26	10	60
		21 L 050	1F	21	63.67	62.91	70	46	-	19	26	10	61
		22 L 050	1F	22	66.70	65.94	75	50	-	19	26	10	62
		24 L 050	1F	24	72.77	72.00	79	50	-	19	26	12	63
		26 L 050	1F	26	78.83	78.07	86	50	-	19	26	12	65
		28 L 050	1F	28	84.89	84.13	91	50	-	19	26	12	66
		30 L 050	1F	30	90.96	90.20	97	50	-	19	26	12	68
		32 L 050	1F	32	97.02	96.26	102	50	-	19	26	12	70
		36 L 050	6F	36	109.15	108.39	115	50	94	19	26	12	74
		40 L 050	6F	40	121.28	120.51	128	50	98	19	26	12	78
		CAST-IRON	WITH FLANGE	44 L 050	5F	44	133.40	132.64	142	50	108	19	26
48 L 050	5F			48	145.53	144.77	150	50	118	19	26	12	85
WITHOUT FLANGE	60 L 050		4	60	191.91	181.15	-	50	163	19	28	15	-
	72 L 050		4	72	218.30	217.53	-	50	199	19	28	15	-
84 L 050	4	84	254.68	253.92	-	50	236	19	28	15	-		

N.B. The aluminium pulleys are not phosphated

POWERGRIP® TOOTHED PULLEYS FOR SYNCHRONOUS BELTS

EXPORT "PHOSPHATED"

L 075 PITCH 3/8" (9.52mm.)

CHARACTERISTICS	TYPE	TYPE	No. of TEETH	Dp PITCH LINE	De EXTERNAL	Df FLANGE	Dm HUB	Di	F	L	d bore	FLANGE No.
STEEL	WITH FLANGE	1F	10	30.32	29.56	37	22	-	25	32	8	50
		1F	12	36.38	35.62	43	28	-	25	32	8	52
		1F	13	39.41	38.65	44	30	-	25	32	8	83
		1F	14	42.45	41.68	48	33	-	25	32	8	54
		1F	15	45.48	44.72	51	36	-	25	32	8	55
		1F	16	48.51	47.75	54	38	-	25	32	8	56
		1F	17	51.54	50.78	57	40	-	25	32	10	57
		1F	18	54.57	53.81	60	40	-	25.57	32	10	58
		1F	19	57.61	56.84	64	40	-	25	32	10	59
		1F	20	60.64	59.88	66.5	46	-	25	32	10	60
		1F	21	63.67	62.91	70	46	-	25	32	10	61
		1F	22	66.70	65.94	75	50	-	25	32	10	62
		1F	24	72.77	72.00	79	50	-	25	32	12	63
		1F	26	78.83	78.07	86	50	-	25	32	12	65
		1F	28	84.89	84.13	91	50	-	25	32	12	66
		1F	30	90.96	90.20	97	50	-	25	32	12	68
		1F	32	97.02	96.26	102	50	-	25	32	12	70
		6F	36	109.15	108.39	115	55	94	25	32	12	74
		6F	40	121.28	120.51	128	60	98	25	32	12	78
		CAST-IRON	WITH FLANGE	5F	44	133.40	132.64	142	60	108	25	32
5F	48			145.53	144.77	150	60	118	25	32	12	85
WITHOUT FLANGE	4		60	191.91	181.15	-	60	163	26	35	15	-
	4		70	218.30	217.53	-	60	199	26	35	15	-
	4		84	254.68	253.92	-	60	236	26	35	15	-

L 100 PITCH 3/8" (9.52mm.)

CHARACTERISTICS	TYPE	TYPE	No. of TEETH	Dp PITCH LINE	De EXTERNAL	Df FLANGE	Dm HUB	Di	F	L	d bore	FLANGE No.
STEEL	WITH FLANGE	1F	10	30.32	29.56	37	22	-	31	38	8	50
		1F	12	36.38	35.62	43	28	-	31	38	8	52
		1F	13	39.41	38.65	44	30	-	31	38	8	83
		1F	14	42.45	41.68	48	33	-	31	38	8	54
		1F	15	45.48	44.72	51	36	-	31	38	8	55
		1F	16	48.51	47.75	54	38	-	31	38	8	56
		1F	17	51.54	50.78	57	40	-	31	38	10	57
		1F	18	54.57	53.81	60	40	-	31	38	10	58
		1F	19	57.61	56.84	64	40	-	31	38	10	59
		1F	20	60.64	59.88	66.5	46	-	31	38	10	60
		1F	21	63.67	62.91	70	46	-	31	38	10	61
		1F	22	66.70	65.94	75	50	-	31	38	10	62
		1F	24	72.77	72.00	79	50	-	31	38	12	63
		1F	26	78.83	78.07	86	50	-	31	38	12	65
		1F	28	84.89	84.13	91	50	-	31	38	12	66
		1F	30	90.96	90.20	97	50	-	31	38	12	68
		1F	32	97.02	96.26	102	50	-	31	38	12	70
		7F	36	109.15	108.39	115	55	94	32	38	12	74
		7F	40	121.28	120.51	128	60	98	32	38	12	78
		CAST-IRON	WITH FLANGE	8F	44	133.40	132.64	142	60	108	32	-
8F	48			145.53	144.77	150	60	118	32	-	12	85
WITHOUT FLANGE	4		60	191.91	181.15	-	60	163	32	35	15	-
	4		72	218.30	217.53	-	60	199	32	35	15	-
	4		84	254.68	253.92	-	60	236	32	35	15	-

POWERGRIP® TOOTHED PULLEYS FOR SYNCHRONOUS BELTS

EXPORT "PHOSPHATED"

H 100 PITCH 1/2" (12.7mm.)

CHARACTERISTICS	TYPE	EXEC.	No. of TEETH	Dp PITCH LINE	De EXTERNAL	Df FLANGE	Dm HUB	Di	F	L	E	d Ø bore	FLANGE No.	
STEEL	WITH FLANGE	14 H 100	1F	14	56.60	55.22	64	40	-	31	41	-	10	59
		16 H 100	1F	16	64.68	63.31	70	46	-	31	41	-	10	61
		18 H 100	1F	18	72.77	71.39	79	54	-	31	41	-	12	63
		19 H 100	1F	19	76.81	75.44	82.5	58	-	31	41	-	12	64
		20 H 100	1F	20	80.85	79.48	87	62	-	31	41	-	12	76
		21 H 100	1F	21	84.89	83.52	91	67	-	31	41	-	12	66
		22 H 100	1F	22	88.94	87.56	94	70	-	31	41	-	12	67
		24 H 100	1F	24	97.02	95.65	102	75	-	31	41	-	12	70
		26 H 100	7F	26	105.11	103.73	112	55	81	32	40	8	15	72
		28 H 100	7F	28	113.19	111.82	115	60	88	32	40	8	15	75
		30 H 100	7F	30	121.28	119.90	128	60	97	32	40	8	15	78
		32 H 100	6F	32	129.36	127.99	135	70	105	32	40	-	20	80
36 H 100	6F	36	145.53	144.16	150	80	118	32	40	-	20	85		
CAST-IRON	WITH FLANGE	40 H 100	5F	40	161.70	160.33	168	80	135	32	40	-	20	90
		44 H 100	5F	44	177.87	176.50	184	80	150	32	40	-	20	95
		48 H 100	5F	48	194.04	192.67	200	80	170	32	40	-	20	100
	WITHOUT FLANGE	60 H 100	4	60	242.55	241.18	-	80	216	34	45	-	20	-
		72 H 100	4	72	291.06	289.69	-	80	263	34	45	-	20	-
		84 H 100	4	84	339.57	338.20	-	80	312	34	45	-	20	-
		96 H 100	4	96	388.08	386.71	-	80	360	34	45	-	20	-
		120 H 100	4	120	485.10	483.73	-	90	458	34	50	-	20	-

H 150 PITCH 1/2" (12.7mm.)

CHARACTERISTICS	TYPE	EXEC.	No. of TEETH	Dp PITCH LINE	De EXTERNAL	Df FLANGE	Dm HUB	Di	F	L	E	d Ø bore	FLANGE No.	
STEEL	WITH FLANGE	14 H 150	1F	14	56.60	55.22	64	40	-	44	54	-	12	59
		16 H 150	1F	16	64.68	63.31	70	46	-	44	54	-	12	61
		18 H 150	1F	18	72.77	71.39	79	54	-	44	54	-	12	63
		19 H 150	1F	19	76.81	75.44	82.5	58	-	44	54	-	12	64
		20 H 150	1F	20	80.85	79.48	87	62	-	44	54	-	12	76
		21 H 150	1F	21	84.89	83.52	91	67	-	44	54	-	12	66
		22 H 150	1F	22	88.94	87.56	94	70	-	44	54	-	12	67
		24 H 150	1F	24	97.02	95.65	102	75	-	44	54	-	12	70
		26 H 150	7F	26	105.11	103.73	112	55	81	45	53	18	15	72
		28 H 150	7F	28	113.19	111.82	115	60	88	45	53	18	15	75
		30 H 150	7F	30	121.28	119.90	128	60	97	45	53	18	15	78
		32 H 150	6F	32	129.36	127.99	135	70	105	45	53	-	20	80
36 H 150	6F	36	145.53	144.16	150	80	118	45	53	-	20	85		
CAST-IRON	WITH FLANGE	40 H 150	8F	40	161.7	160.33	168	80	135	45	-	-	20	90
		44 H 150	8F	44	177.87	176.50	184	80	150	45	-	-	20	95
		48 H 150	8F	48	194.04	192.67	200	80	170	45	-	-	20	100
	WITHOUT FLANGE	60 H 150	9	60	242.55	241.18	-	85	216	46	-	-	20	-
		72 H 150	9	72	291.06	289.69	-	85	263	46	-	-	20	-
		84 H 150	9	84	339.57	338.20	-	85	312	46	-	-	20	-
		96 H 150	9	96	388.08	386.71	-	85	360	46	-	-	20	-
		120 H 150	4	120	485.10	483.73	-	95	458	46	55	-	24	-

POWERGRIP® TOOTHED PULLEYS FOR SYNCHRONOUS BELTS

EXPORT "PHOSPHATED"

H 200 PITCH 1/2" (12.7mm.)

CHARACTERISTICS	TYPE	EXEC.	No. of TEETH	Dp PITCH LINE	De EXTERNAL	Df FLANGE	Dm HUB	Di	F	L	E	d Ø bore	FLANGE No.	
STEEL	WITH FLANGE	14 H 200	1F	14	56.60	55.22	64	40	-	58	68	-	-	59
		16 H 200	1F	16	64.68	63.31	70	46	-	58	68	-	-	61
		18 H 200	1F	18	71.77	71.39	79	54	-	58	68	-	-	63
		19 H 200	1F	19	76.81	75.44	82.5	58	-	58	68	-	-	64
		20 H 200	1F	20	80.85	79.48	87	62	-	58	68	-	-	76
		21 H 200	1F	21	84.89	83.52	91	67	-	58	68	-	-	66
		22 H 200	1F	22	88.94	87.56	94	70	-	58	68	-	-	67
		24 H 200	1F	24	97.02	95.65	102	75	-	58	68	-	-	70
		26 H 200	7F	26	105.11	103.73	112	60	81	58	66	24	15	72
		28 H 200	7F	28	113.19	111.82	115	60	88	58	66	24	15	75
		30 H 200	7F	30	121.28	119.90	128	70	97	58	66	24	15	78
		32 H 200	7F	32	129.36	127.99	135	70	105	58	66	19	20	80
36 H 200	7F	36	145.53	144.16	150	80	118	58	66	19	20	85		
CAST-IRON	WITH FLANGE	40 H 200	10F	40	161.70	160.33	168	80	135	58	45	-	20	90
		44 H 200	10F	44	177.87	176.50	184	80	150	58	45	-	20	95
		48 H 200	10F	48	194.04	192.67	200	80	170	58	45	-	20	100
	WITHOUT FLANGE	60 H 200	11	60	242.55	241.18	-	90	216	60	50	-	20	-
		72 H 200	11	72	291.06	289.69	-	90	263	60	50	-	20	-
		84 H 200	11	84	339.57	338.20	-	90	312	60	50	-	20	-
		96 H 200	11	96	388.08	386.71	-	90	360	60	50	-	20	-
		120 H 200	9	120	485.10	483.73	-	100	458	60	-	-	24	-

H 300 PITCH 1/2" (12.7mm.)

CHARACTERISTICS	TYPE	EXEC.	No. of TEETH	Dp PITCH LINE	De EXTERNAL	Df FLANGE	Dm HUB	Di	F	L	E	d Ø bore	FLANGE No.	
STEEL	WITH FLANGE	16 H 300	1F	16	64.68	63.31	70	46	-	84	94	-	-	61
		18 H 300	1F	18	71.77	71.39	79	54	-	84	94	-	-	63
		19 H 300	1F	19	76.81	75.44	82.5	58	-	84	94	-	-	64
		20 H 300	1F	20	80.85	79.48	87	62	-	84	94	-	-	76
		21 H 300	1F	21	84.89	83.52	91	67	-	84	94	-	-	66
		22 H 300	1F	22	88.94	87.56	94	70	-	84	94	-	-	67
		24 H 300	1F	24	97.02	95.65	102	75	-	84	94	-	-	70
		26 H 300	7F	26	105.11	103.73	112	60	81	84	92	35	15	72
		28 H 300	7F	28	113.19	111.82	115	60	88	84	92	35	15	75
		30 H 300	7F	30	121.28	119.90	128	70	97	84	92	35	15	78
		32 H 300	7F	32	129.36	127.99	135	70	105	84	92	35	20	80
		36 H 300	7F	36	145.53	144.16	150	80	118	84	92	35	20	85
CAST-IRON	WITH FLANGE	40 H 300	10F	40	161.70	160.33	168	80	135	84	55	-	20	90
		44 H 300	10F	44	177.87	176.50	184	80	150	84	55	-	20	95
		48 H 300	10F	48	194.04	192.67	200	85	170	84	55	-	20	100
	WITHOUT FLANGE	60 H 300	11	60	242.55	241.18	-	100	216	86	55	-	20	-
		72 H 300	11	72	291.06	289.69	-	100	263	86	55	-	20	-
		84 H 300	11	84	339.57	338.20	-	100	312	86	55	-	20	-
		96 H 300	11	96	388.08	386.71	-	100	360	86	55	-	20	-
		120 H 300	11	120	485.10	483.73	-	110	458	86	65	-	24	-